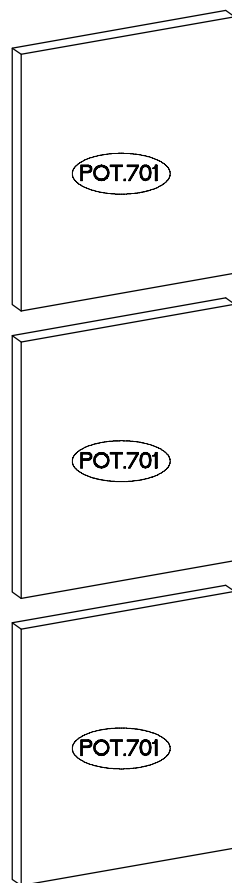
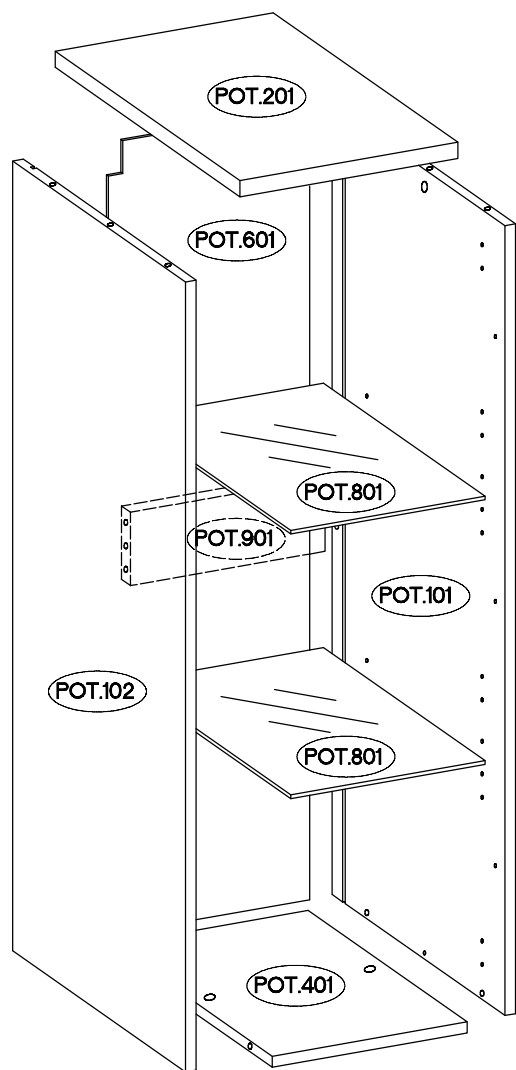
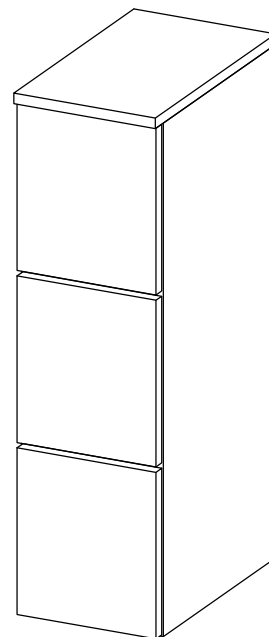
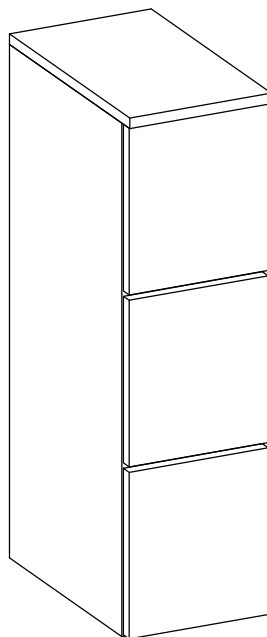




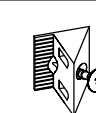

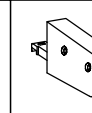
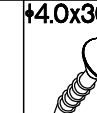
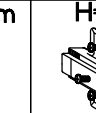
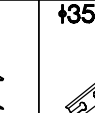

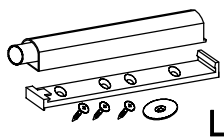
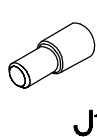

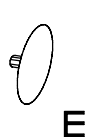





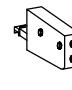


PORTO 132

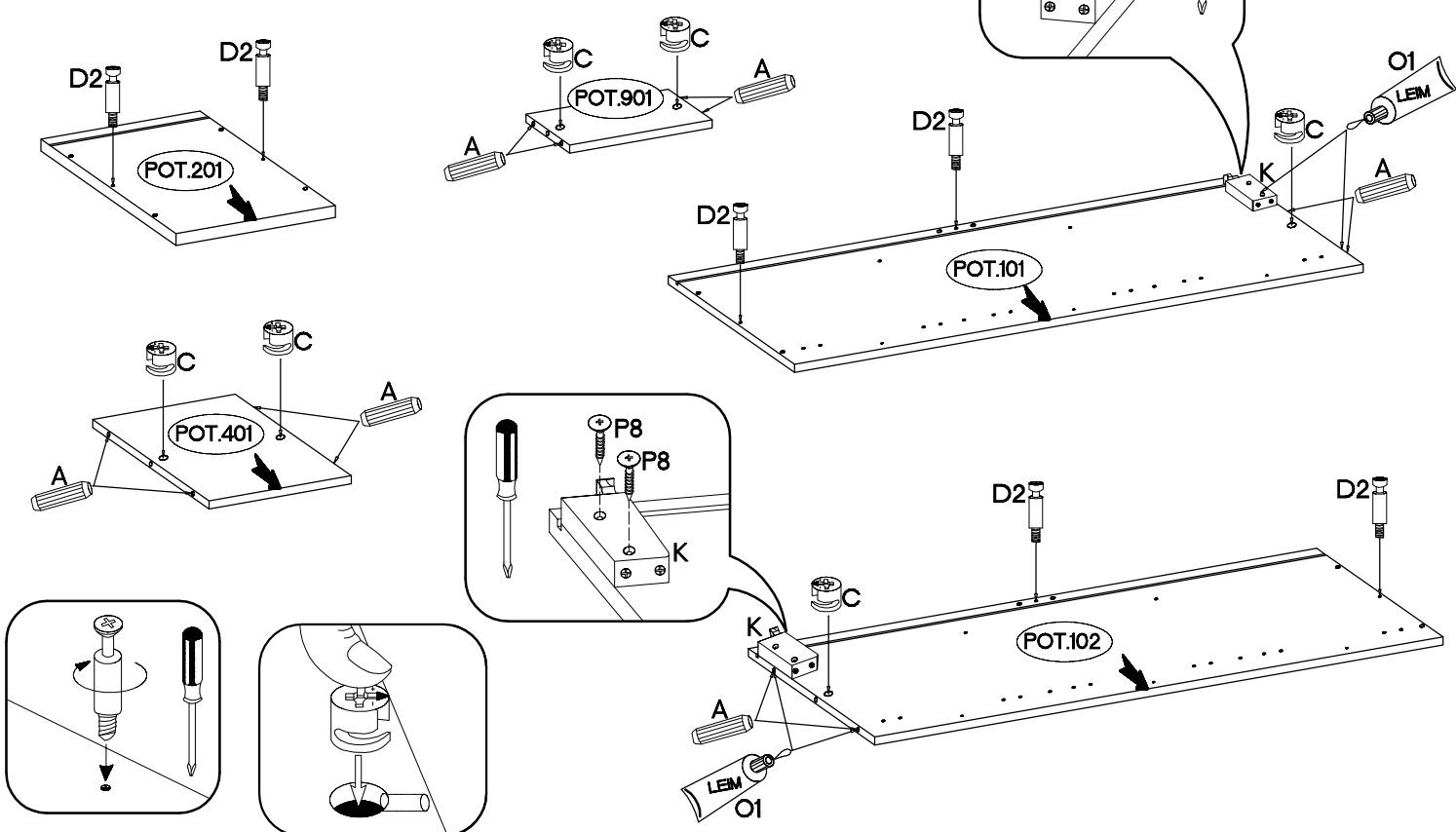


POT.401, POT.801 =  max. 2kg

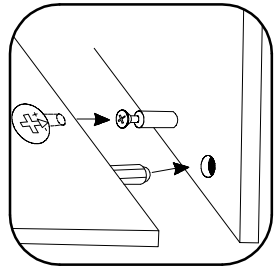
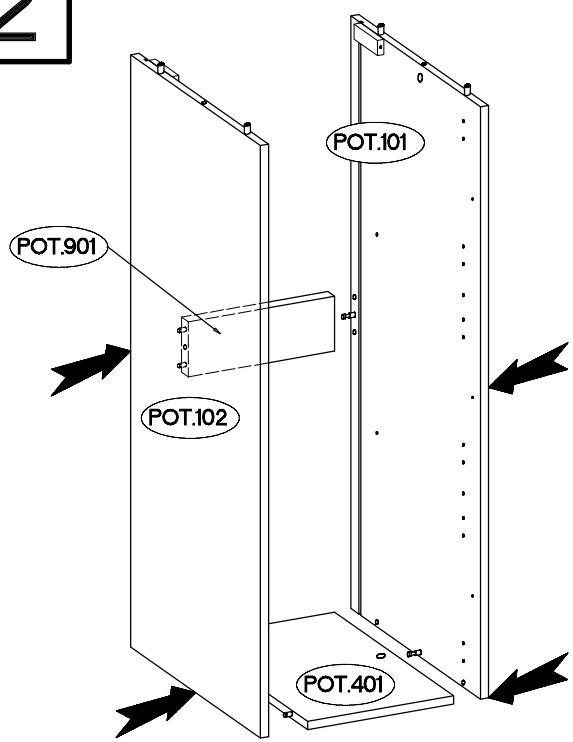
 L=20mm D2 6	 +15/12mm C 6	 +8x30mm A 12	 L 4	 O1 1	 K 2	 +4.0x30mm P8 4	 H=0 H 6	 +35/0mm G 6	 +3.5x13mm P5 12
 L21 3						 J12 8	 P7 3	 E 4	

1

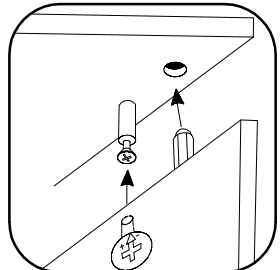
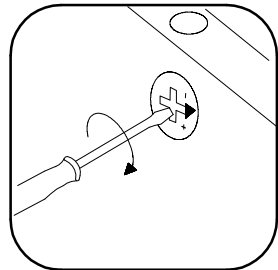
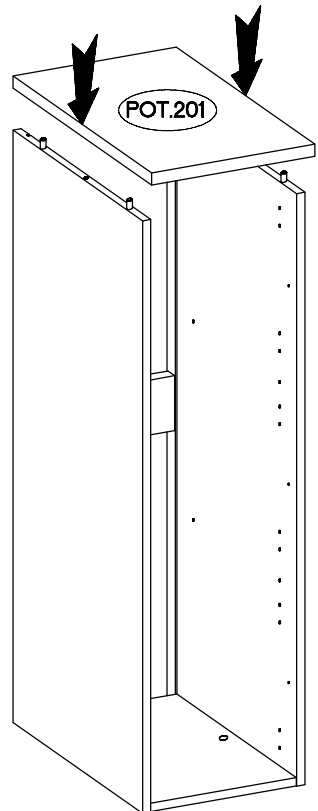
L=20mm  D2	#5/12mm  C	+8x30mm  A	 K	+4.0x30mm  P8	 O1
6	6	12	2	4	1



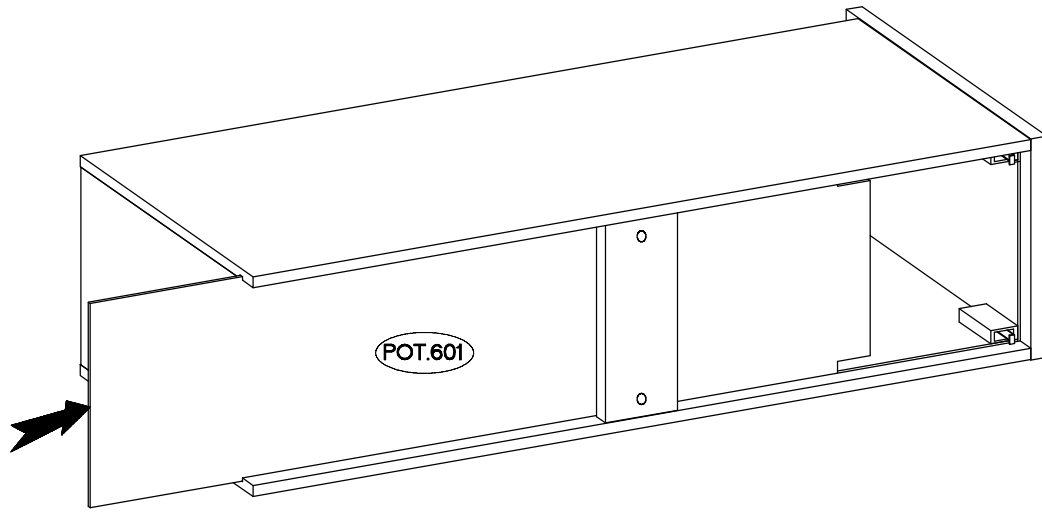
2



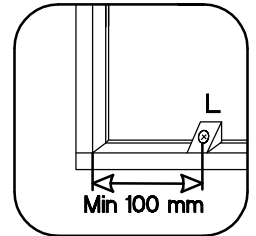
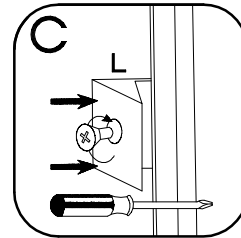
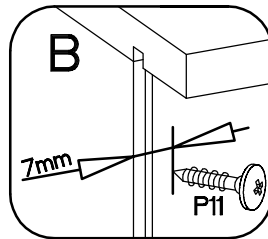
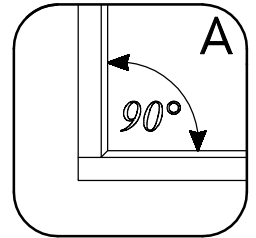
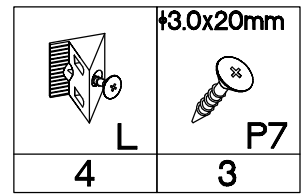
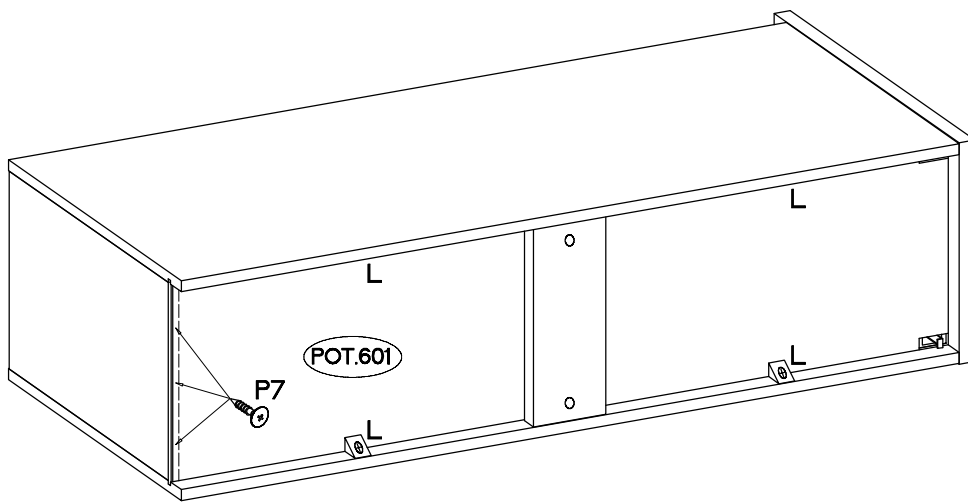
3



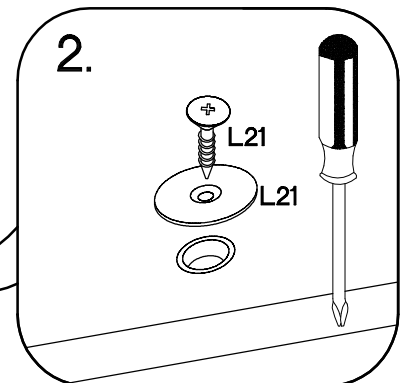
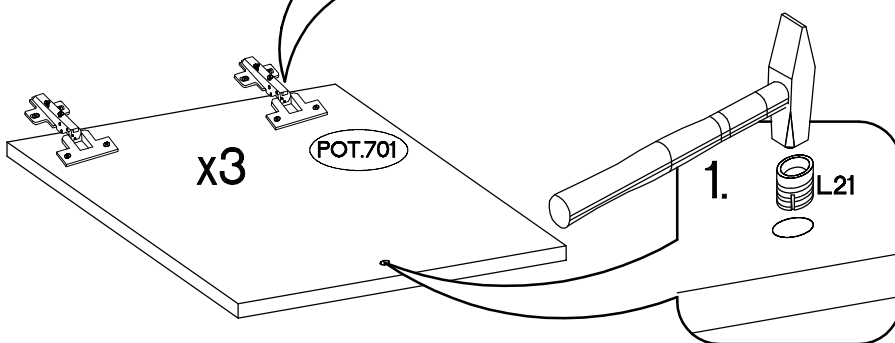
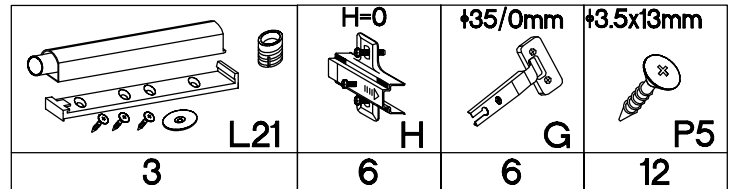
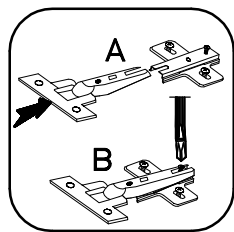
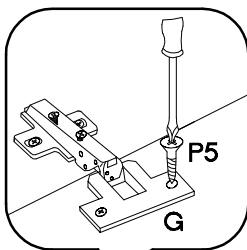
4



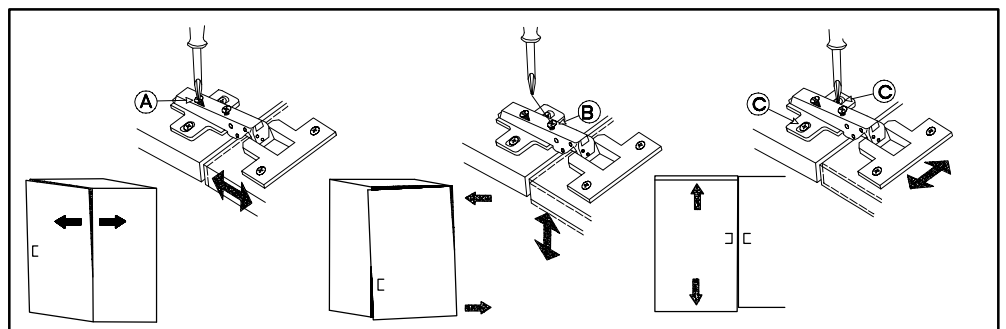
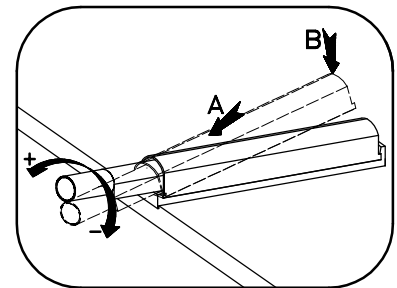
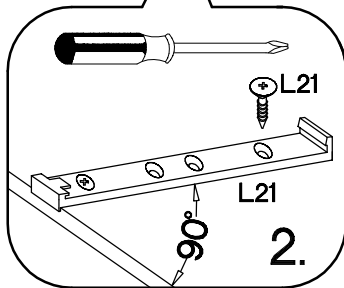
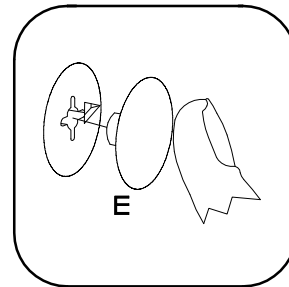
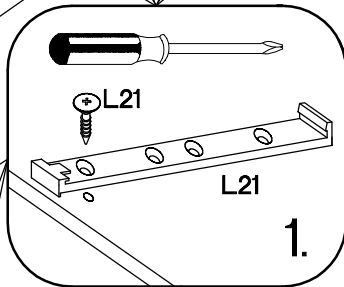
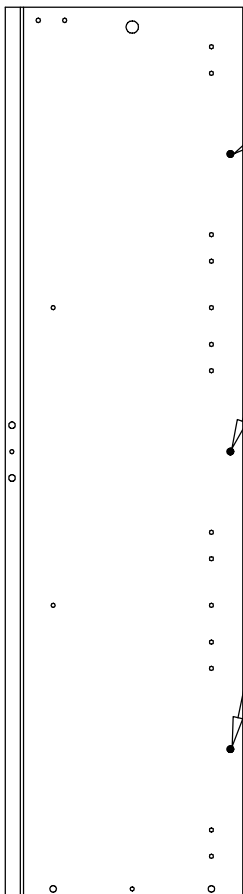
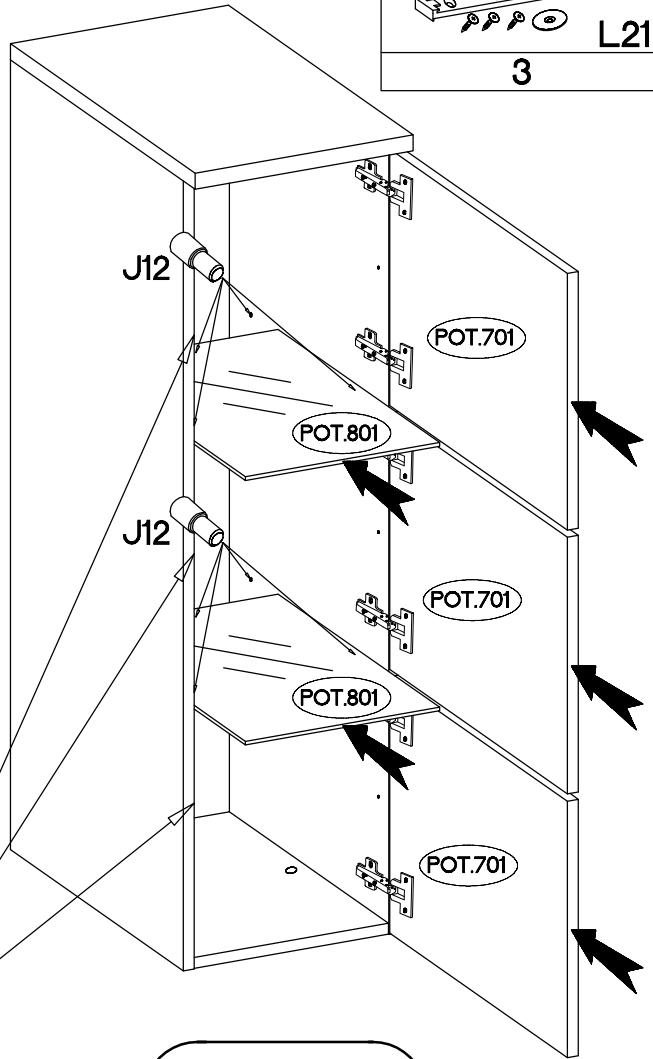
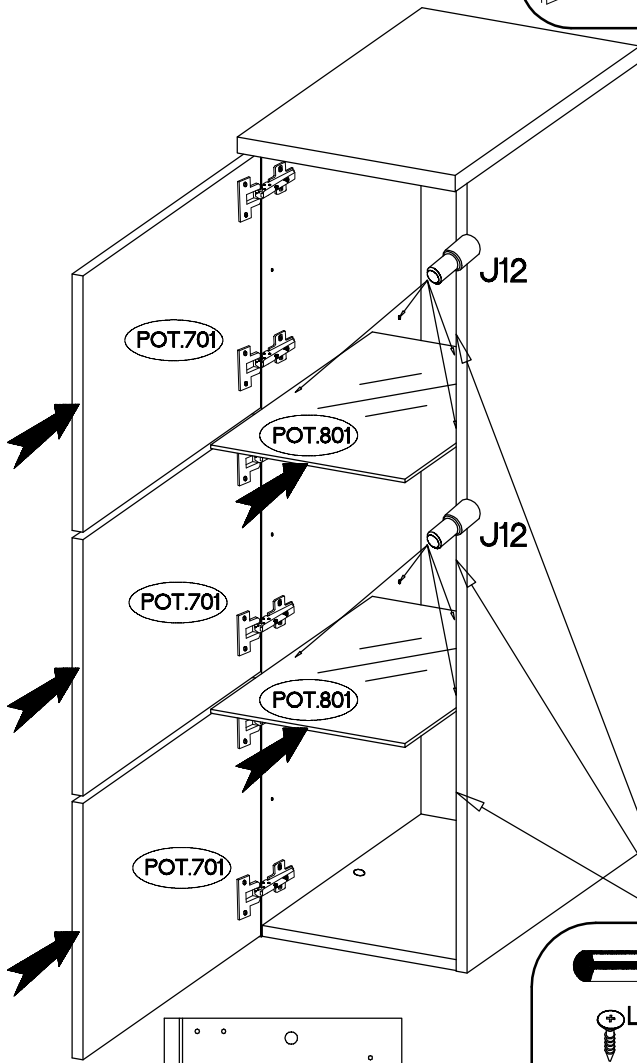
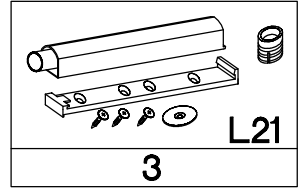
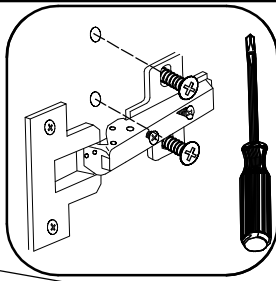
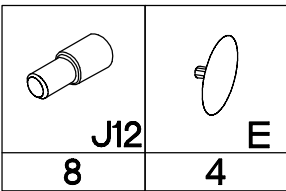
5



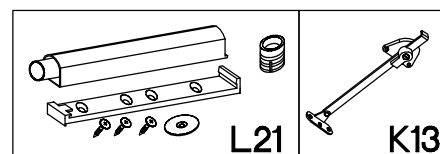
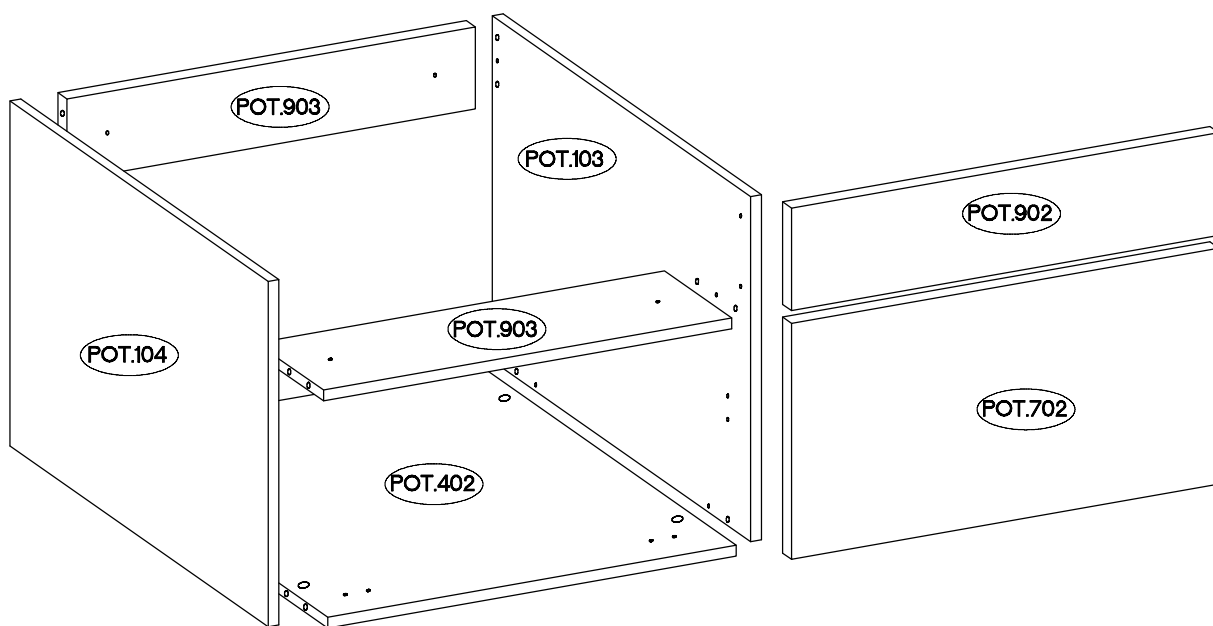
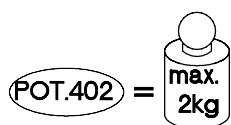
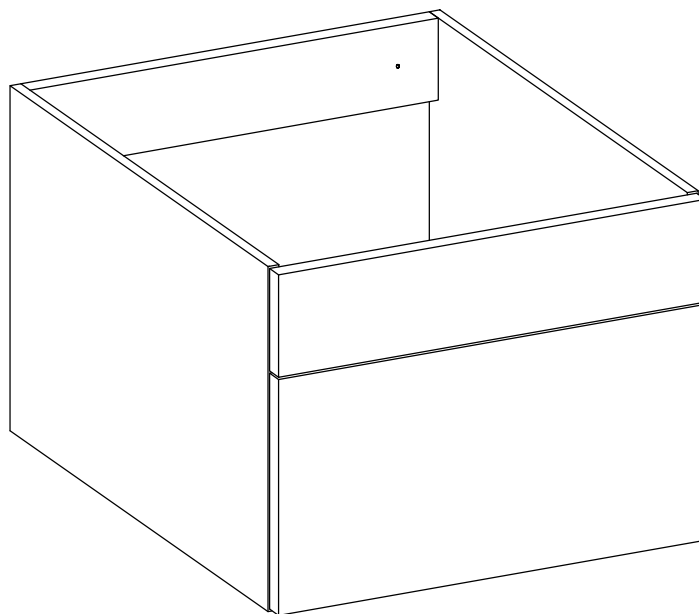
6



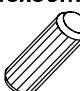
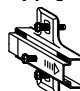
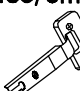


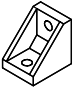




7









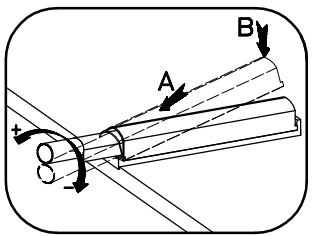
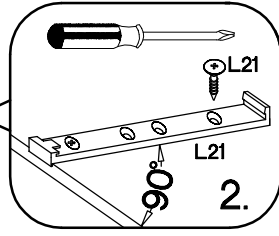
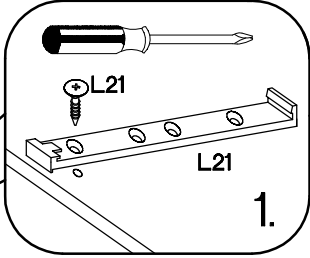
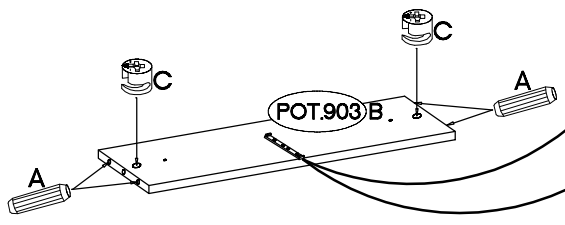
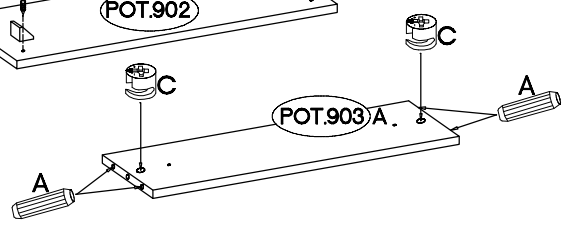
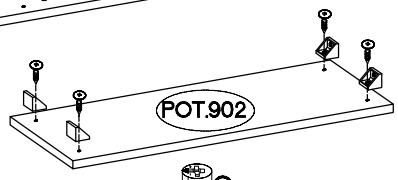
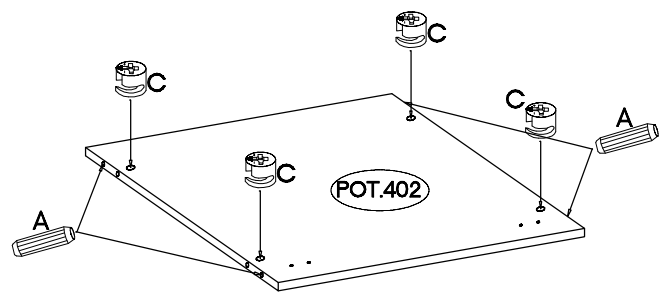
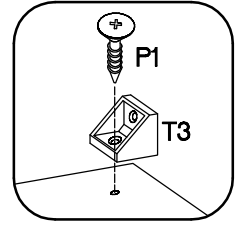
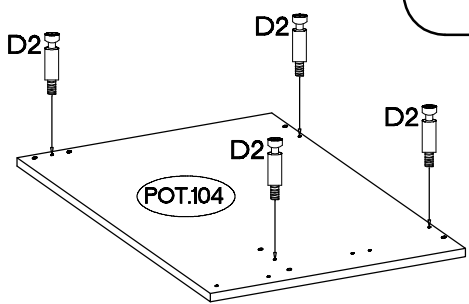
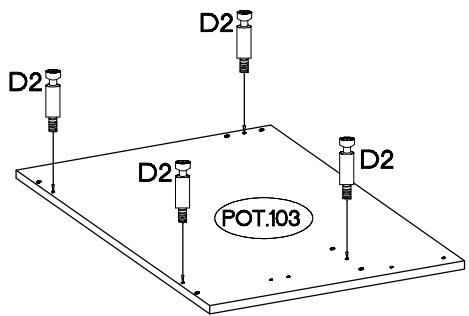
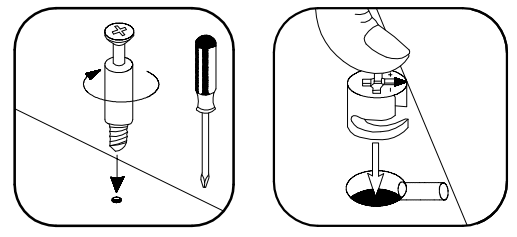
PORTO 302



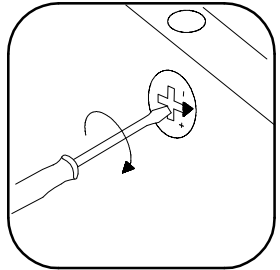
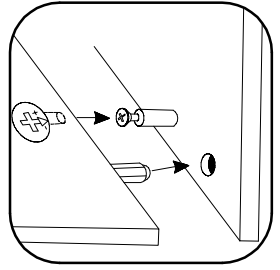
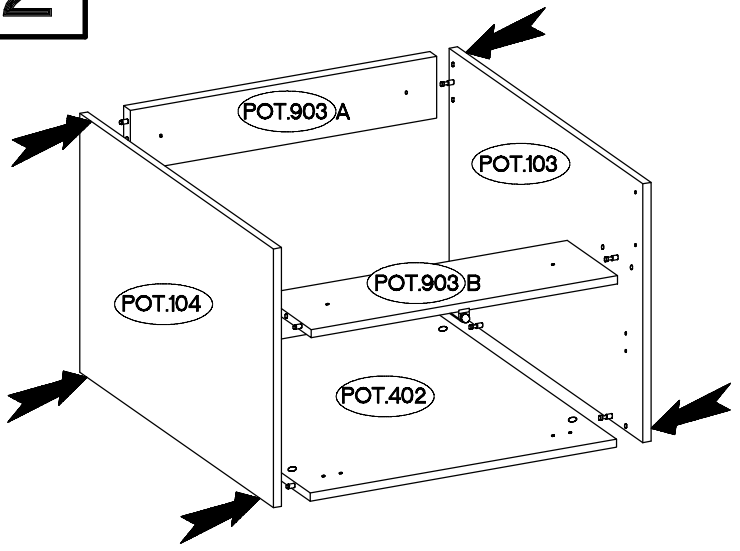
L=20mm  D2	±15/12mm  C	±8x30mm  A	H=0  H	±35/0mm  G	±3.5x13mm  P5	 E	 T3	±4.0x16mm  P1	±3.0x16mm  P11
8	8	12	2	2	7	4	4	8	3

1

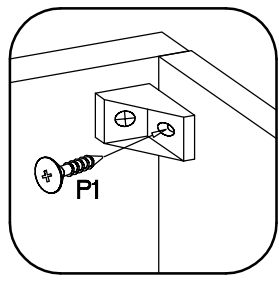
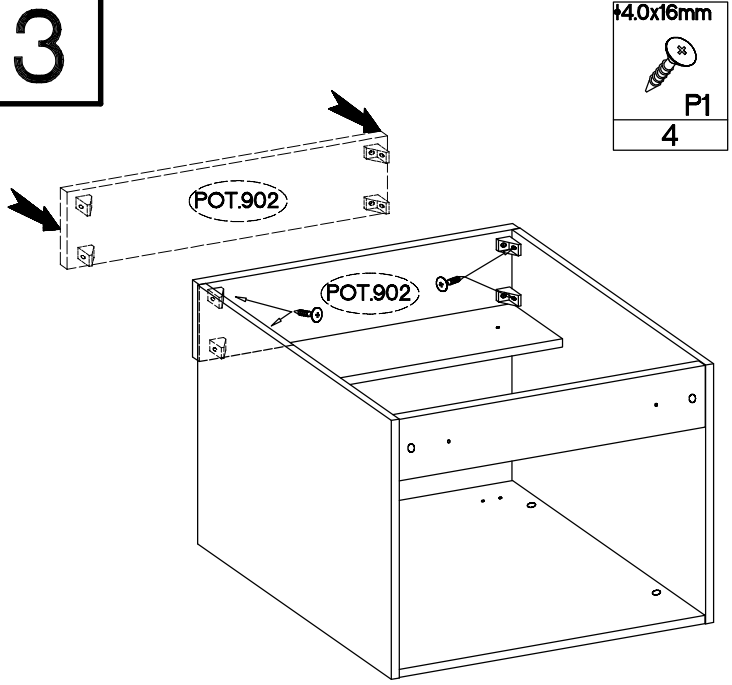
L=20mm 	∅15/12mm 	∅8x30mm 		∅4.0x16mm 	
D2 8	C 8	A 12	T3 4	P1 4	L21 1



2



3



4

±35/0mm



G

2

H=0

±3.5x13mm



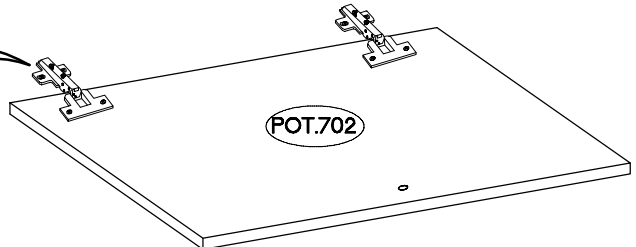
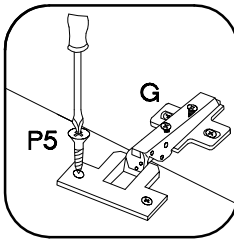
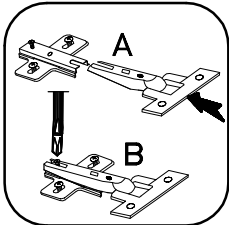
H



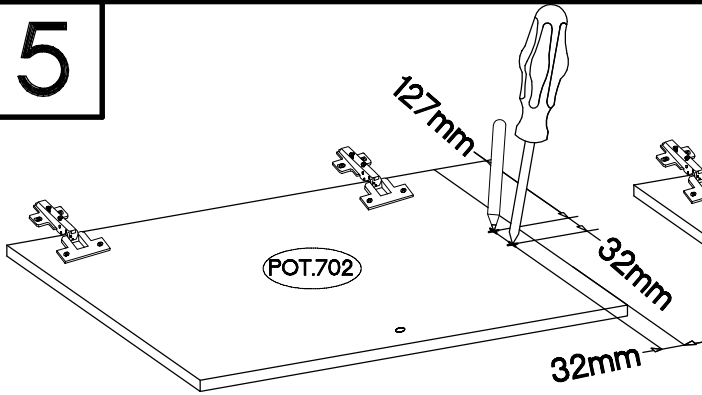
P5

2

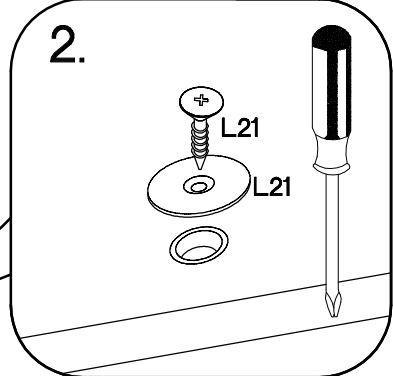
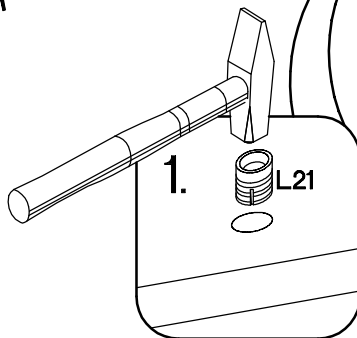
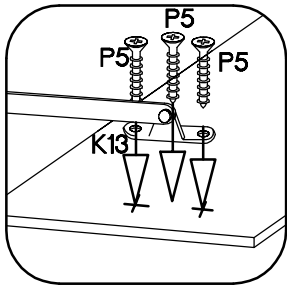
4



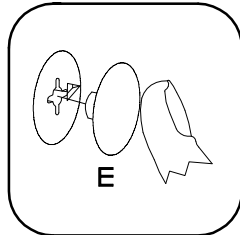
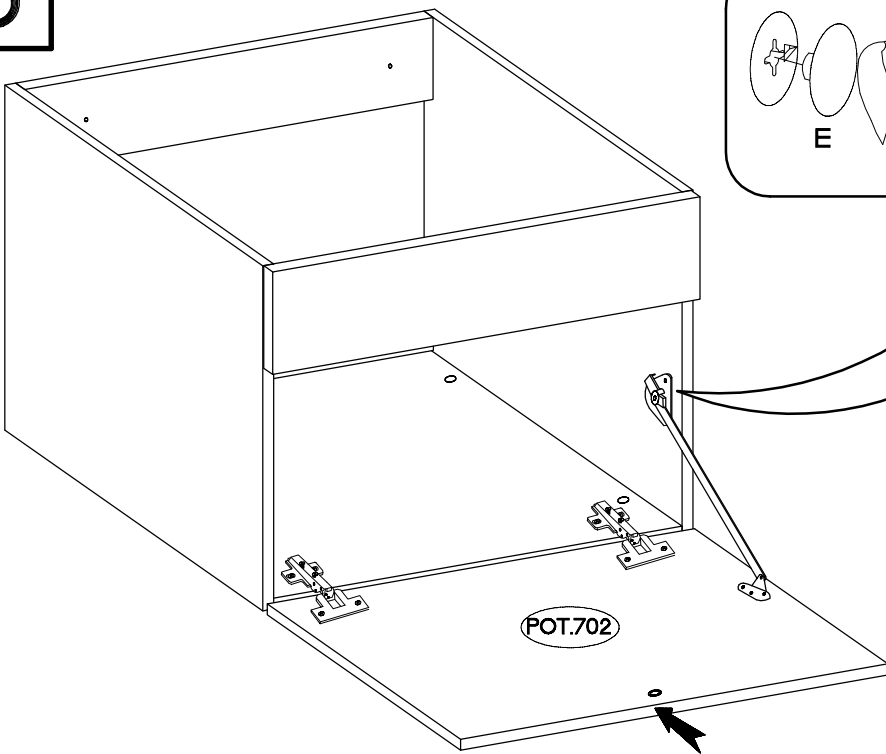
5



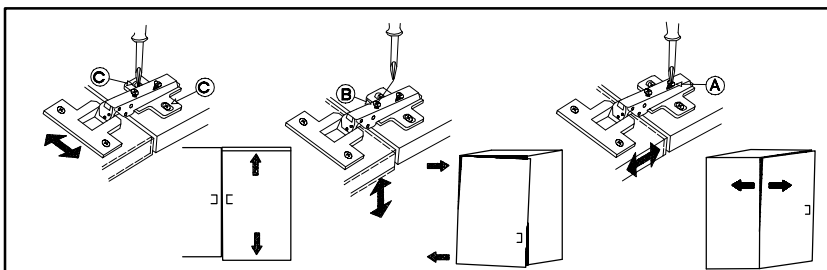
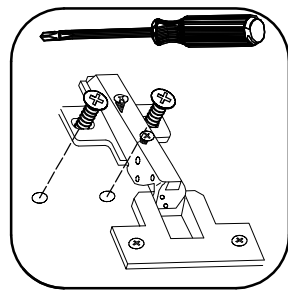
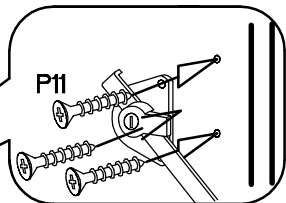
	±3.5x13mm
K13	P5
1	3
1	L21



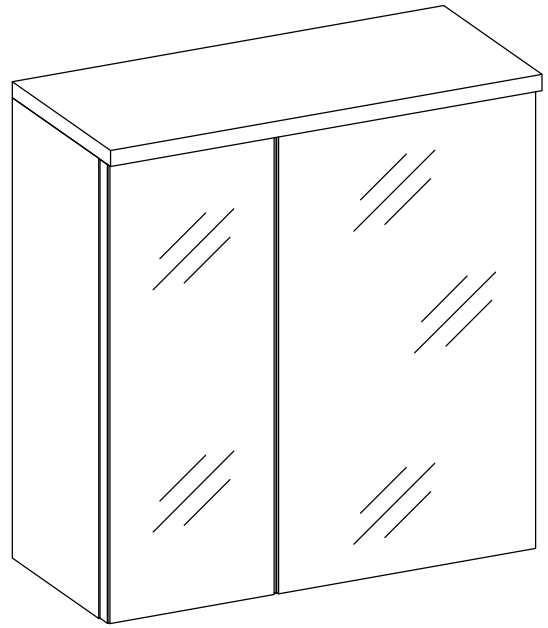
6




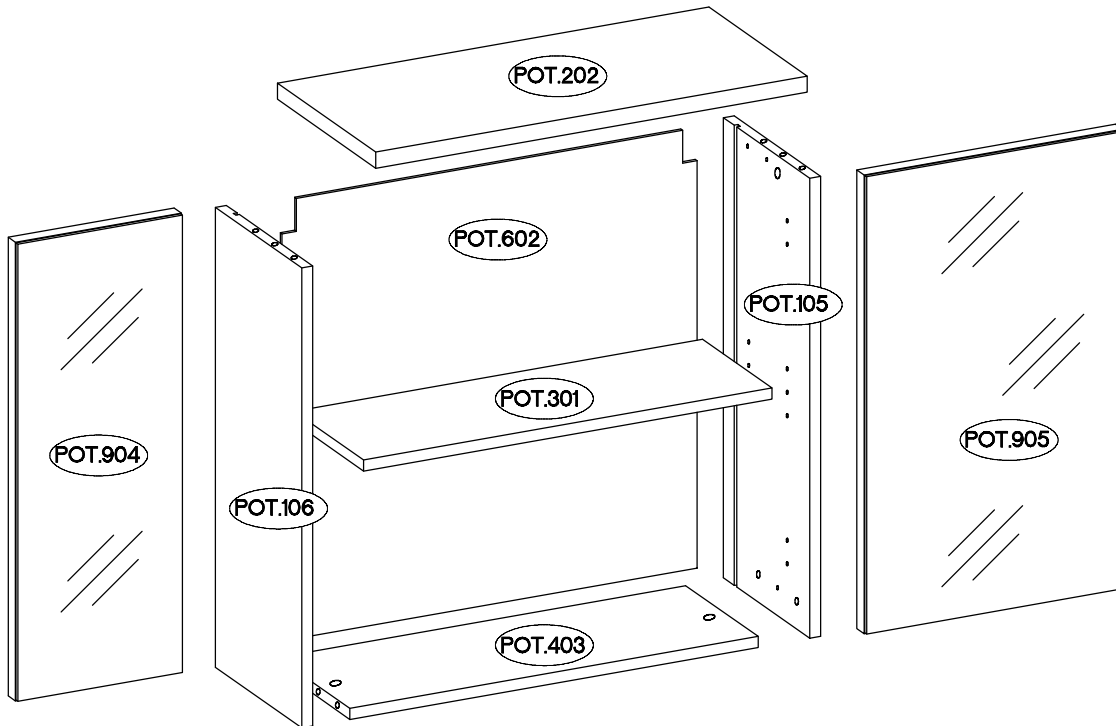
±3.0x16mm	
P11	E
3	4


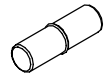


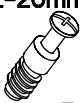


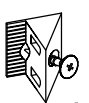

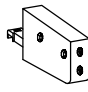

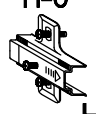
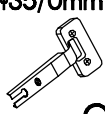



PORTO 402




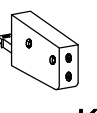




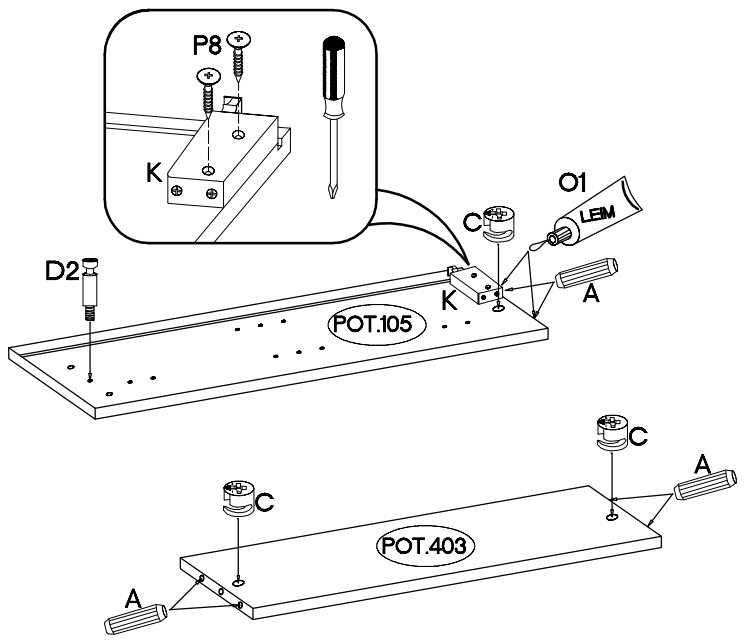
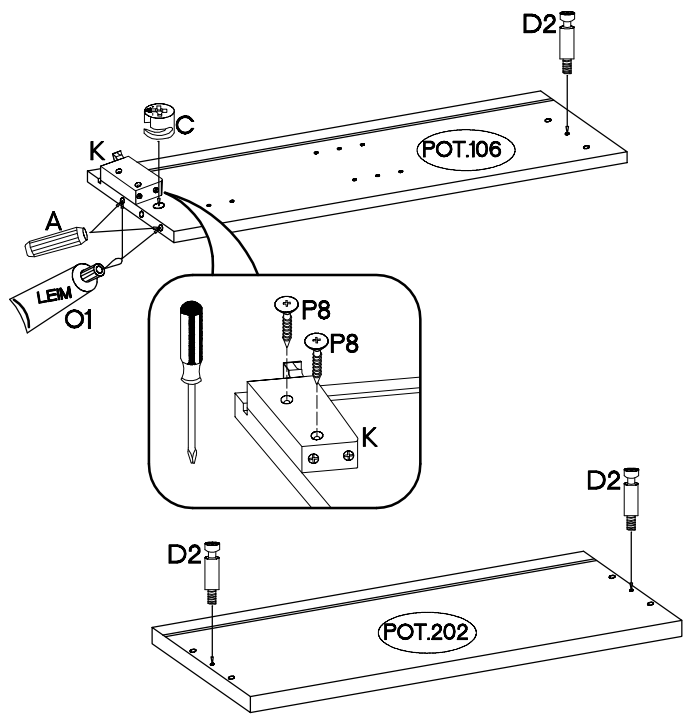
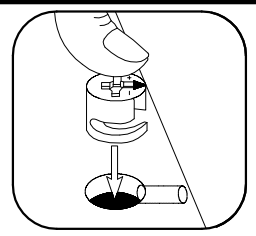
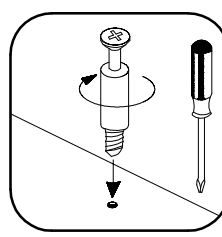
POT.301 , POT.403 =  max. 2kg



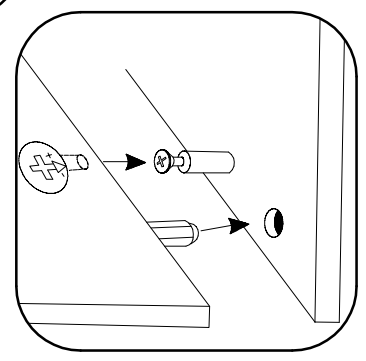
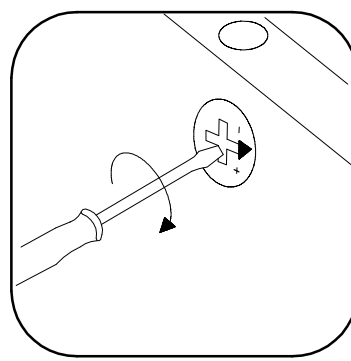
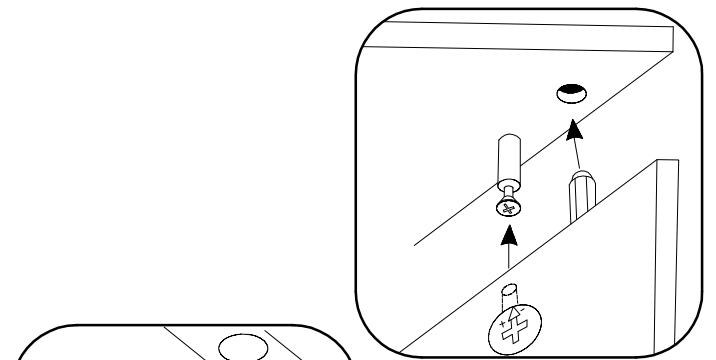
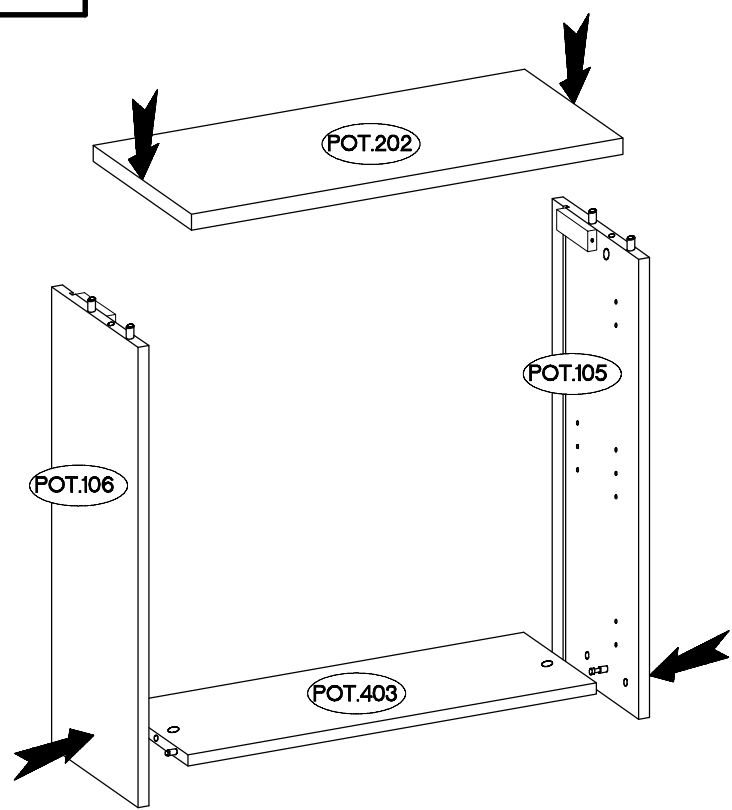
						 J5	 J3	 P7	 E
						2	4	4	4
L=20mm  D2	±15/12mm  C	±8x30mm  A	 L	 O1	 K	±4.0x30mm  P8	H=0  H	±35/0mm  G	±3.5x13mm  P5
4	4	8	5	1	2	4	4	4	8

1

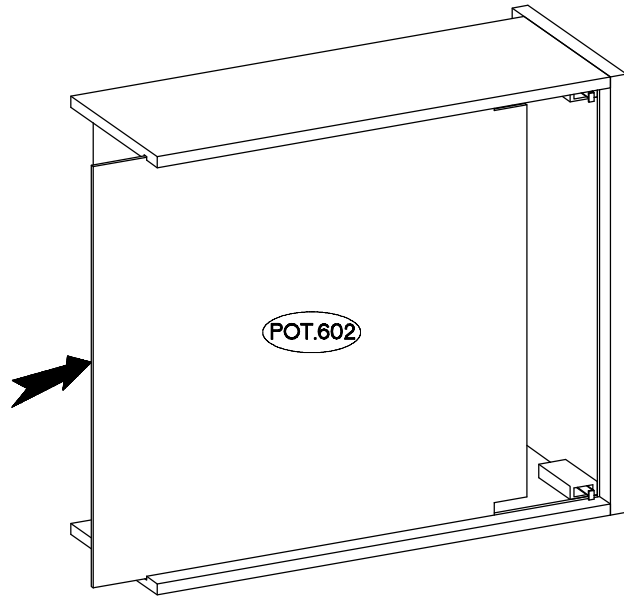
L=20mm  D2 4	±15/12mm  C 4	±8x30mm  A 8	 K 2	±4.0x30mm  P8 4	 O1 1
---	--	---	--	--	---



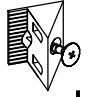

2

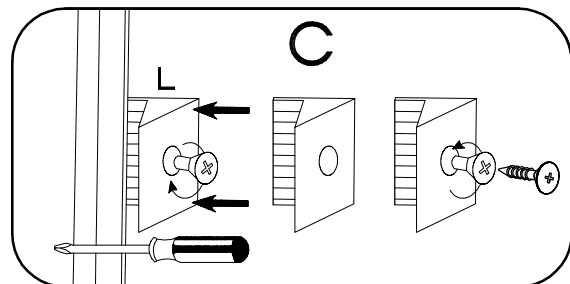
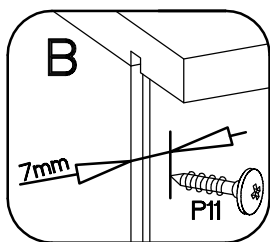
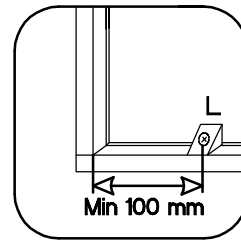
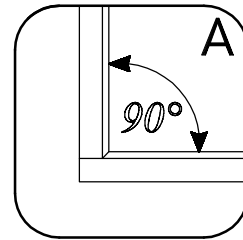
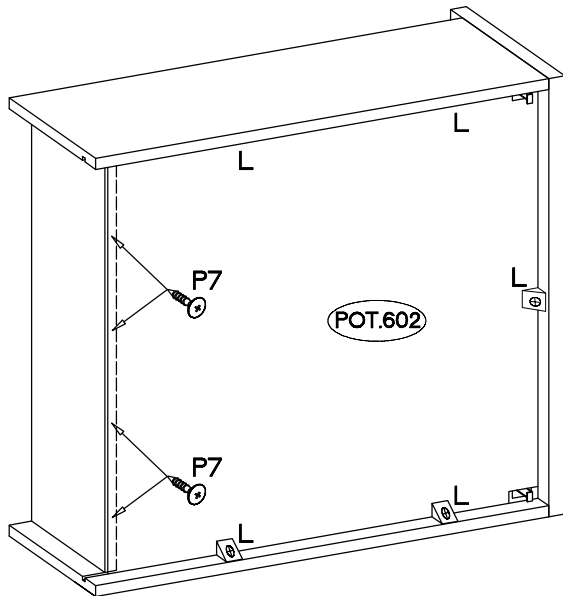


3






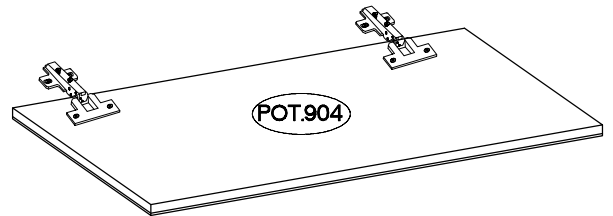
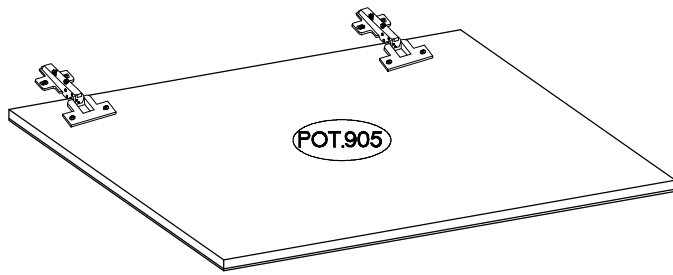
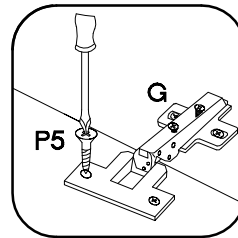
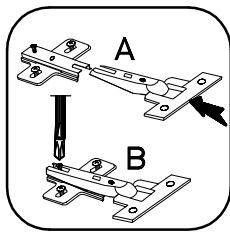
4

	$\pm 3.0 \times 20 \text{mm}$
5	
	4

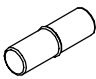
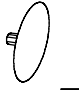



5

H=0  H	+35/0mm  G	+3.5x13mm  P5
4	4	8



6

+5/16mm  J3	 E
4	4
+7/2mm  J5	
2	

